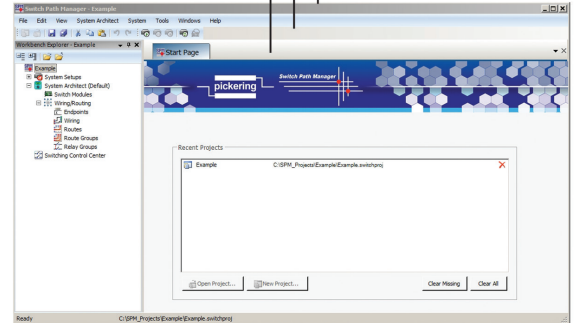


90-900

Switch Path Manager™ – Signal Routing Software

- Manages Complex Switching Systems
- Reduces Switching Software Development Effort
- Provides Automated or Pre-defined Signal Routing
- Provides Static or Dynamic Routing
- Manual Control Capability
- Supports PXI, LXI, PCI and GPIB Systems
- Modules Pack for all Pickering Switch Modules, Third-Party Switch Modules on Request
- APIs available for C, C++, .NET, LabWindows™/CVI and LabVIEW®
- Free 90-Day Evaluation License
- Free SPM Software Upgrades, Free SPM Lifetime Support, No Software Subscription Required

Switch Path Manager



Signal Routing Made Simple

Switch Path Manager, simplifies the routing of signals through switching systems and speeds up the development of switching system software. Switch Path Manager supports Pickering Interfaces switching products and the interconnection between these products. Third-party products can be supported on request.

Once a switching system model has been created, signal routing can be performed by simply defining the endpoints that are required to be connected together. The ability to automate signal routing results in simple and effective switching system management, safe and fast. The short circuit detection feature avoids unwanted shorts between routes.

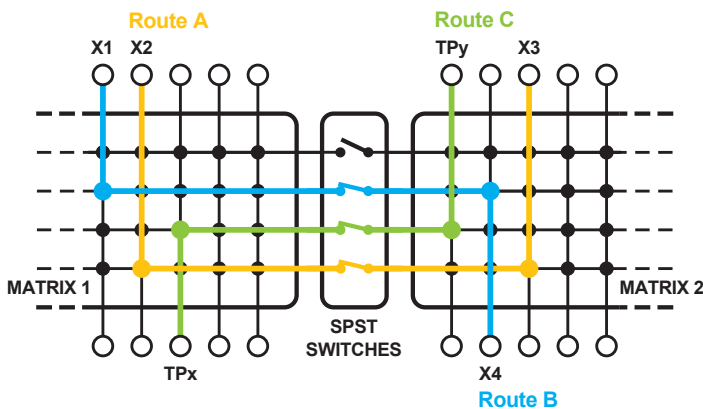
The software package contains the Modules Pack (the collection of switching module libraries), the Switching Control Center, the Application Programmable Interfaces, the standalone Soft Front Panel, and a License Manager.

The software package can be used in Online and Offline Mode. In Offline Mode no physical hardware needs to be available.

Modules Pack

The Modules Pack contains the libraries for all Pickering Interfaces switching hardware.

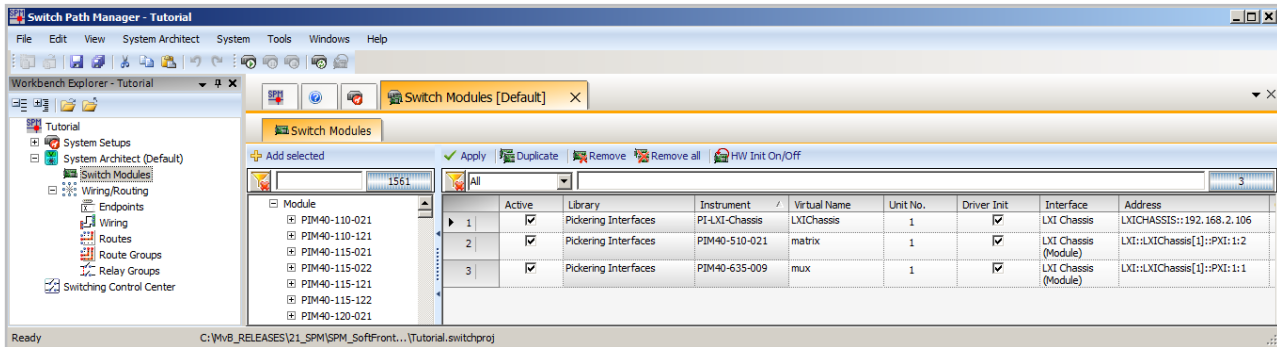
Libraries for third-party switching products are available on request.



System Architect

The System Architect provides project handling, system configuration and interactive control for all the supported switch modules using a text based interface.

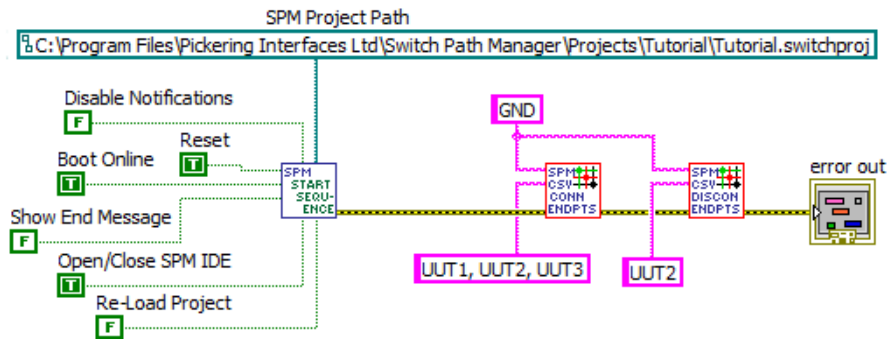
The system configuration defines the addressing and the interconnection of the switching hardware, the system endpoint definitions, the pre-defined signal routes and route groups, as well as relay groups for direct relay channel control.



Application Programmable Interfaces

The following list gives a brief overview of the available API functions, also available for LabVIEW:

- [-] Pickering Switch Path Manager (SPM) API
 - [-] Server
 - [-] Server Add Start Arg
 - [-] Server Clear Start Args
 - [-] Server Start
 - [-] Server Stop
 - [-] Server Is Running
 - [-] Client
 - [-] Client Connect
 - [-] Client Is Connected
 - [-] Client Disconnect
 - [-] Project
 - [-] Project Open
 - [-] Project Is Open
 - [-] Project Get Open File Path Buffer Size
 - [-] Project Get Open File Path
 - [-] Project Close
 - [-] System
 - [-] System Boot Offline
 - [-] System Boot Online
 - [-] System Is Booted Offline
 - [-] System Is Booted Online
 - [-] System Is Booted
 - [-] System Reset Full
 - [-] Switching Setup
 - [-] Switch Setup Get Endpoint Names Buffer Size
 - [-] Switch Setup Get Endpoint Names
 - [-] Switch Setup Get Route Names Buffer Size
 - [-] Switch Setup Get Route Names
 - [-] Switch Setup Get Relay Group Names Buffer Size
 - [-] Switch Setup Get Relay Group Names
 - [-] Switch Set Short Circuit Detection
 - [-] Switch Get Short Circuit Detection
 - [-] Switching
 - [-] Switch Connect Endpoints Csv
 - [-] Switch Disconnect Endpoints Csv
 - [-] Switch Connect Endpoints Arr
 - [-] Switch Disconnect Endpoints Arr
 - [-] Switch Connect Route
 - [-] Switch Disconnect Route
 - [-] Switch Connect Routes
 - [-] Switch Disconnect Routes
 - [-] Switch Connect Relay Group
 - [-] Switch Disconnect Relay Group
 - [-] Application
 - [-] App Show Main Window
 - [-] App Close Main Window
 - [-] Error Handling
 - [-] Get Error Message
 - [-] Get Last Error Code
 - [-] Get Error Code Name
 - [-] Get Last Error Details



Typical LabVIEW code for interconnecting multiple endpoints and then disconnect one of them

Product Order Codes

Switch Path Manager Base License

90-900-001

Licensing

Switch Path Manager is license key protected. PC related keys can be obtained from Pickering Interfaces.

Switch Path Manager comes with a free 90-day evaluation license, after this evaluation period a license will need to be purchased to continue to use the software.

Inquiries

Inquiries should be sent to: desales@pickeringtest.com