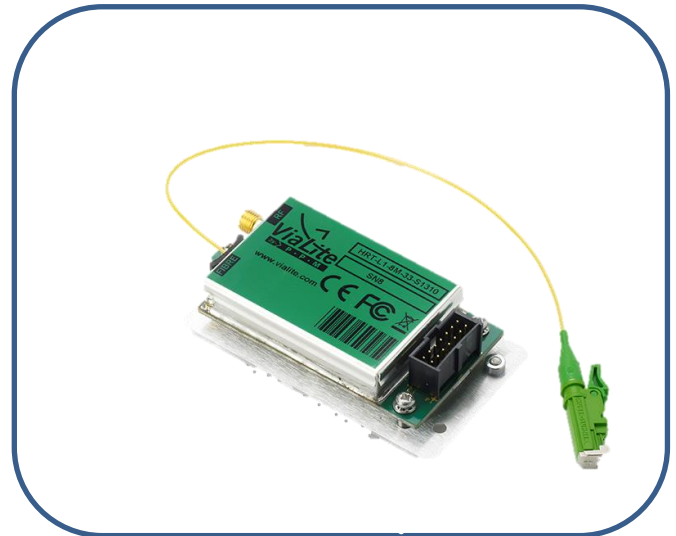


ViaLiteHD® – Green OEM Link

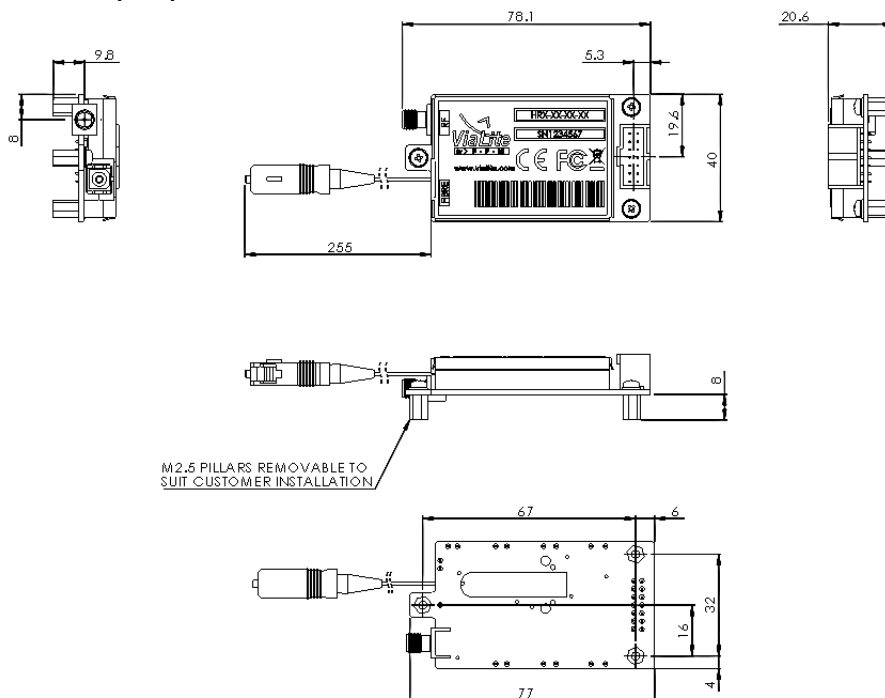
RF over Fiber Link

- **Single Tx or Rx**
- **100 to 1000 MHz**
- **Plug-in replacement for ViaLite Classic**
- **<1 W (low power consumption)**
- **87 x 46 x 19.6 mm with mounting plate**
- **For Wireless Cameras or Microphones**

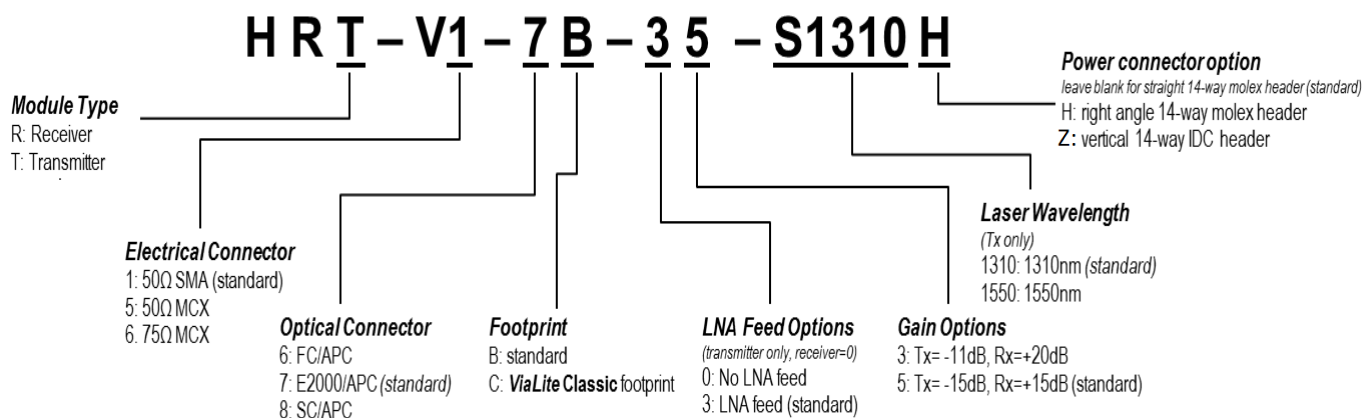


The **Green OEM Link** is a small RF over fiber OEM module, which is a plug-in replacement for the **ViaLite Classic** OEM and is available to cover **ViaLite** broadcast bands. The Green OEM Link can be supplied in transmitter or receiver formats and is typically integrated into customer equipment. The link is available with either an SC, FC or E2000 optical connector and either an SMA or MCX RF connector. The 14-pin Molex header connector provides connection for Tx or Rx alarms and for connecting a power supply.

Mechanical Dimensions (mm)



Product Configurator



Popular products

HRT-V6-8B-35-S1310

Transmitter, Broadcast 100-1000 MHz link, 75 Ohm MCX, Singlemode SC/APC, LNA/LNB or BUC Connector, Wavelength 1310 nm

HRT-V1-8B-35-S1550

Transmitter, Broadcast 100-1000 MHz link, 50 Ohm SMA, Singlemode SC/APC, LNA/LNB or BUC Connector, Wavelength 1550 nm

HRR-V1-7C-05

Receiver, Broadcast 100-1000 MHz link, 75 Ohm MCX, Singlemode SC/APC Connector

Parameters

	GREEN OEM LINK
Dimensions	With Classic adaptor plate: 87 x 46 x 19.6 mm With no adaptor plate: 77 x 40 x 15.6 mm With stand-offs and no adaptor plate: 77 x 40 x 20.6 mm
Weight	Transmitter: 60 g Receiver: 55 g
Standard Operating temperature	-20 °C to +60 °C
Extended temperature range	-30 °C to +60 °C (-2dB link gain for temperatures outside of standard)
Humidity	0-95 % non-condensing
Cooling	Convection
Power consumption	Transmitter: 1.1 W Receiver: 0.8 W
DC Input voltage	11 to 13 V, 12 V nominal
Connector	14-pin Molex header connector (Power & Alarms)
RF module Types	Transmitter or Receiver Broadcast Band (V) (100-1000 MHz)